

MILLER®

by Honeywell



Miller StopFall™ Fall Restraint Device

& Secondary Fall Restraint Devices:

- 8327SW Retractable Web Lanyard
- Adjustable Rope Lanyard
- Safety Straps

User Instruction Manual

Manuel D'utilisation / Manual de Instrucciones para El Usuario

Table of Contents

1.0 Purpose.....	3
2.0 StopFall Specifications and Parts Identification.....	3-5
3.0 General Requirements, Warnings and Limitations.....	6
4.0 Installation and Use of the StopFall.....	6-10
4.1 Installing and Adjusting the StopFall	
4.2 Using and Maneuvering the StopFall	
5.0 Installation and Use of Secondary (Back-up) Devices with StopFall..	10-14
5.1 Miller 8327SW Retractable Web Lanyard	
5.2 Miller Adjustable Rope Lanyard	
5.3 Miller Safety Straps	
6.0 Inspection and Maintenance.....	15-18
6.1 Inspection / 6.2 Cleaning and Storage / 6.3 Servicing	
Product Labels.....	35
Inspection and Maintenance Log.....	36-38

Table des Matières

1.0 Objet.....	19
2.0 Caractéristiques du dispositif StopFall et de ses composants.....	19-21
3.0 Exigences Générales, Avertissements et Limitations.....	22
4.0 Installation et utilisation du dispositif StopFall.....	22-26
4.1 Installation et réglage du dispositif StopFall	
4.2 Installation et manipulation du dispositif StopFall	
5.0 Installation et utilisation d'équipement accessoire (de secours) avec le dispositif StopFall.....	26-30
5.1 Longe rétractable de Miller (modèle 8327SW)	
5.2 Longe ajustable de Miller	
5.3 Sangle de sécurité de Miller	
6.0 Inspection et Entretien.....	31-34
6.1 Inspection / 6.2 Nettoyage et Entreposage / 6.3 Entretien	
Étiquettes de Produit.....	35
Registre D'inspection et D'entretien.....	36-38

Thank You

Thank you for your purchase of Miller Fall Protection equipment. Miller brand products are produced to meet the highest standards of quality at our ISO 9001 certified facility. Miller Fall Protection equipment will provide you with years of use when cared for properly.

WARNING

All persons using this equipment must read, understand and follow all instructions. Failure to do so may result in serious injury or death. Do not use this equipment unless you are properly trained.

Questions? Call 1.800.873.5242

It is crucial that the authorized person/user of this fall protection equipment read and understand these instructions. In addition, it is the employer's responsibility to ensure that all users are trained in the proper use, inspection, and maintenance of fall protection equipment. Fall protection training should be an integral part of a comprehensive safety program.

Proper use of fall arrest systems can save lives and reduce the potential of serious injuries from a fall. The user must be aware that forces experienced during the arrest of a fall or prolonged suspension may cause bodily injury. Consult a physician if there is any question about the user's ability to use this product. Pregnant women and minors must not use this product.

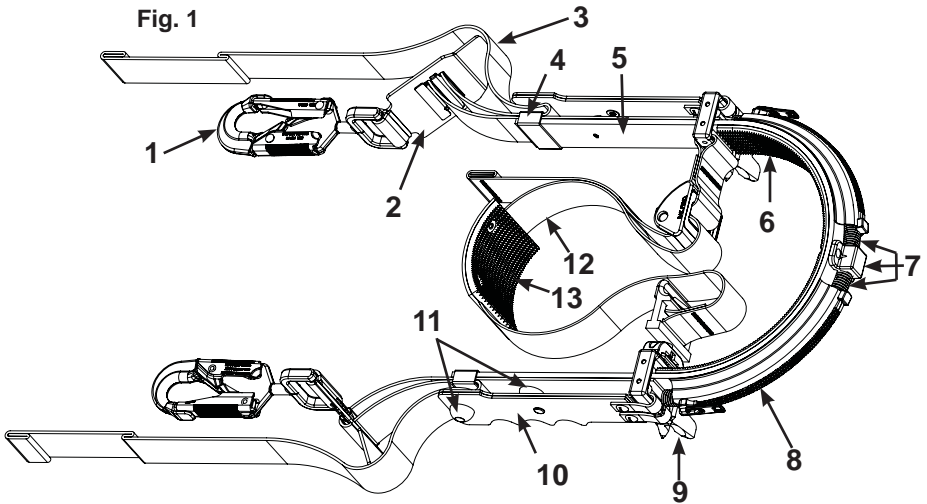
1.0 Purpose

The Miller StopFall™ Fall Restraint Device (Model 7700A/YL/GP-1) provides a user-friendly and reliable work positioning and fall restraint system when climbing wooden poles. The StopFall Device fits poles with a circumference between 20 in. (508mm) and 60 in. (1524mm). Spring-loaded gaffs "bite" into wooden poles, whether dry, wet or ice-covered, to provide the ultimate security for pole climbing applications. The Miller StopFall Fall Restraint Device meets OSHA and CSA Z259.14-01 for Type A and Type AB devices.

2.0 StopFall Specifications and Parts Identification

Model No.	Description	Fits Pole Sizes	Materials	Weight
7700A/ YL/GP-1	StopFall Fall Restraint Device with heavy-duty outer wear strap and inner security strap with unique gaffs for instant grip on wooden poles (includes gaff pullers)	20 in. (508mm) circumference to 60 in. (1524mm) circumference	Pole Strap: Polyester webbing with 8,000 lb. (35.6kN) tensile strength, leather inner strap, neoprene wear pad, and stainless steel bell rivet stops Cross Security Strap: Polyester webbing with 6,500 lb. (29kN) tensile strength and neoprene wear pad Cam Buckle: Glass-filled nylon, aluminum and stainless steel Gaff and Disconnect Assemblies: Steel and stainless steel Gaff Pullers: 3-ply nylon belting with leather ties, zinc plated steel rivet/washer, and nickel plated bell rivet stop Hardware: Steel and stainless steel with a 5,000 lb. (22.2kN) minimum tensile strength	6.6 lbs. (3kg)

StopFall Fall Restraint Device



Inner Security Strap Assembly

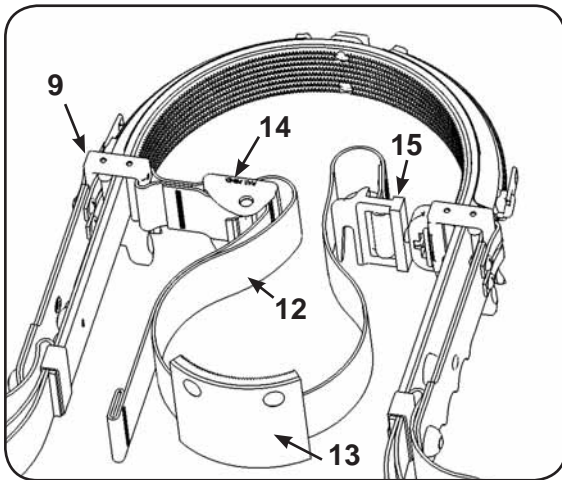


Fig. 2

1 Locking Snap Hooks

For compatible connection to D-rings on Miller Lineman's Belts

2 Pivoting Friction Buckle Pole Strap Adjusters

Allow user to adjust webbing length while on the ground or on the pole

3 Pole Strap Webbing

High-strength polyester webbing

4 Flexible Elastic Keepers

Keeps webbing out of the way

5 Heavy-Duty Outer Wear Strap with Wear Indicator

Provides extra strength and durability; simplifies inspection

6 Rugged Neoprene Outer Pole Strap Wear Pad

For additional traction and wear resistance while climbing

7 Center Spring Anchor & Return Springs

Two-piece spring assembly prevents a continual electric path

8 Protective Spring Covers

Protects springs while a nonconductive zipper allows access to the springs for 100% inspection

9 Sliding Gaff Assemblies

Spring-loaded gaffs provide instant grip on wooden poles; nylon rollers permit free movement of the gaffs and minimize abrasion on the pole strap

10 Gaff Pullers

Easier and safer than ever to operate the gaffs

11 Bell Rivet Stops

Prevent the gaffs from inadvertently sliding off the end of the wear strap; prevent hand from slipping when using gaff pullers

12 Inner Security Strap

High-strength polyester webbing

13 Rugged Neoprene Inner Security Strap Wear Pad

For additional traction and wear resistance while climbing

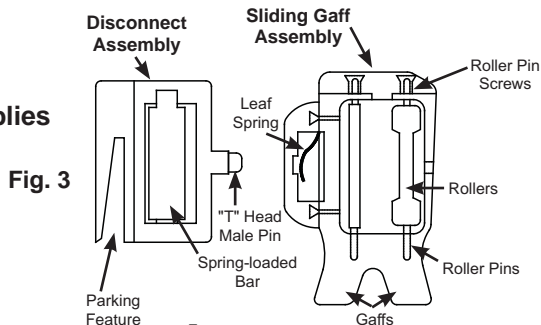
14 Cam Buckle Webbing Adjuster

User-friendly means to adjust inner security strap length

15 Disconnect Assembly with Parking Feature

Allows for disconnect of the cross strap; parking feature allows strap to be "parked" onto the pole strap when not in use, such as when bypassing an obstruction

Sliding Gaff and Disconnect Assemblies



3.0 General Requirements, Warnings and Limitations

All warnings and instructions shall be provided to authorized persons/users.

All authorized persons/users must reference the regulations governing occupational safety, as well as applicable ANSI or CSA standards. Please refer to product labeling for information on specific OSHA regulations, and ANSI and CSA standards met by product.

Proper precautions should always be taken to remove any obstructions, debris, material, or other recognized hazards from the work area that could cause injuries or interfere with the operation of the system.

All equipment must be inspected before each use according to the manufacturer's instructions.

All equipment should be inspected by a qualified person on a regular basis.

To minimize the potential for accidental disengagement, a competent person must ensure system compatibility.

Equipment must not be altered in any way. Repairs must be performed only by the manufacturer, or persons or entities authorized in writing by the manufacturer.

Any product exhibiting deformities, unusual wear, or deterioration must be immediately discarded.

Any equipment subject to a fall must be removed from service.

The authorized person/user shall have a rescue plan and the means at hand to implement it when using this equipment.

Never use fall protection equipment for purposes other than those for which it was designed. Fall protection equipment should never be used for towing or hoisting.

Equipment must not be exposed to environmental hazards and chemicals which may produce a harmful effect.

Use in a corrosive or caustic environment dictates a more frequent inspection and servicing program to ensure the integrity of the product is maintained.

Do not allow equipment to come in contact with anything that will damage it including, but not limited to, sharp, abrasive, rough or high-temperature surfaces, welding, heat sources, electrical hazards, or moving machinery.

Do not expose the equipment to any hazard which it is not designed to withstand. Consult the manufacturer in cases of doubt.

Always check for obstructions below the work area to make sure potential fall path is clear.

Allow adequate fall clearance below the work surface.

The purchaser of this equipment must ensure that all personnel using this equipment are familiar with these instructions and are properly trained in the operation, limitations, installation, inspection and maintenance of this product. Training should be conducted periodically and without exposing the trainee to a fall hazard.

Never remove product labels, which include important warnings and information for the authorized person/user.

4.0 Installation and Use of the StopFall

Warnings and Limitations

Before use, carefully inspect the StopFall Device to ensure that it is in useable condition. Check for missing or damaged parts. Do not use this equipment if any component does not operate properly or if the unit appears to be damaged in any way. Refer to the inspection section of this manual.

Only trained and competent personnel should install and use this equipment.

For use by ONE person only. Maximum capacity is 310 lbs. (140.6kg), including body weight, clothing and tools. — DO NOT EXCEED THIS WEIGHT.

The StopFall Device is designed and intended for use on wooden poles only. DO NOT USE ON POLES MADE WITH ANY OTHER MATERIAL.

Carefully inspect the condition of the pole before climbing. Failure to do so could result in serious injury or death. If there is any doubt as to the strength and integrity of the pole, do not attempt to climb it.

The StopFall Device is designed for use with Miller approved components. Substitution or replacement with non-approved component combinations or subsystems or both may affect or interfere with the safe function of each other and endanger the compatibility within the system. This incompatibility may affect the reliability and safety of the total system.

A linemen's belt with four D-rings, such as the Miller Black Beauty Model 8449-1, and a back-up positioning and fall restraint device, such as the Miller Adjustable Rope Lanyard Model ARL-100-Z7, is recommended for use with the StopFall Device.

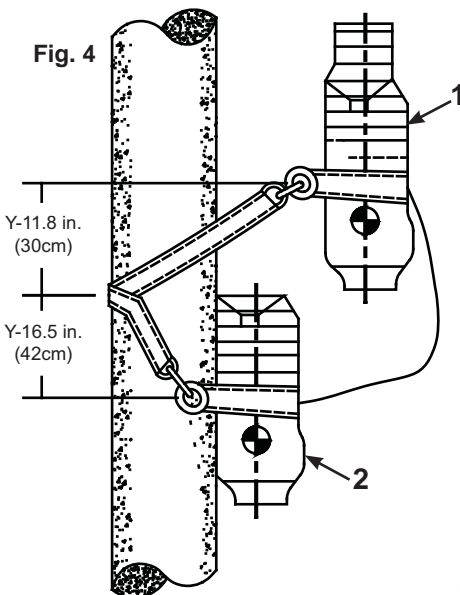
Fall protection components used with this product must be rigged in accordance to regulatory requirements. [All instructions and warnings provided with the components must be read, understood, and followed.]

Make sure that all connections within the fall protection system are compatible.

4.1 Installing and Adjusting the StopFall

Warnings

- Be sure the inner security strap is properly adjusted for length to ensure a proper choking action during a fall. Failure to do so could result in serious injury or death.
- A secondary or back-up device must be used with the StopFall for bypassing obstructions during the climb/descent. Never detach the StopFall during use unless the back-up device is in place.
- To minimize the consequences of a fall, the Stopfall pole strap length should be maintained at the minimum comfortable length possible for the application.
- Use gaff pullers to keep fingers away from the bottom of the gaffs when climbing; otherwise, fingers could get pinched in the event of a fall.
- For maximum expected total fall distances from original Fall Restricting Equipment to linesman's waist belt, refer to Figure 4.



Expected Total Fall Distances

Position 1 - Torso is at a "Y" dimension 11.8 in. (30cm) above fall restricting equipment (FRE).

Position 2 - Torso is now 16.5 in. (42cm) below FRE and against the pole after the fall. The lineman's belt attached to the FRE, from a maximum height above the FRE, to the lineman's belt attached to the FRE below, has fallen 28.3 in. (72cm) plus the slippage of the FRE.

Average fall distances from originating point to lineman's belt on a:

- Dry pole 0.4 in. (1cm) + 28.3 in. (72cm) = 28.7 in. (73cm)
- Wet pole 11.8 in. (30cm) + 28.3 in. (72cm) = 40.1 in. (102cm)
- Wet pole with conduit 18.5 in. (47cm) + 28.3 in. (72cm) = 46.8 in. (119cm)
- Icy pole 6.7 in. (17cm) + 28.3 (72cm) = 35 in. (89cm)

4.1.1 Attaching the StopFall for a Climb (see Fig. 5)

Fig. 5

1. Hold the Stopfall pole strap out in front of you by gripping the inner wear strap near the ends. **Be sure the gaffs are pointed downward.**
2. Attach one of the pole strap snap hooks to the corresponding side D-ring of your lineman's belt/safety belt.
3. Disconnect the inner security strap by pushing in the handle of the disconnect assembly, rotating it 90 degrees, and withdrawing it from the gaff assembly (see Fig. 6).
4. Pass the free end of the pole strap around the pole and attach the snap hook to the corresponding side D-ring of your lineman's belt/safety belt.
5. Reconnect the cross strap, making certain that the "T" head pin on the disconnect assembly rests properly in the slot of the gaff assembly and is held there by the leaf spring.
6. Using the cam buckle (see Fig. 8), adjust the length of the inner security strap so that it cinches around the pole and will allow the device to remain in position on the pole without any assistance (refer to 4.1.2).
7. Using the pivoting friction buckle pole strap adjusters (see Fig. 9 & 10), adjust the length of the pole strap so that you are at a comfortable climbing angle on the pole (refer to 4.1.3).
8. You are ready to climb.



Fig. 6

4.1.2 Adjusting the Length of the Inner Security Strap

Note: The inner security strap wear pad (see Fig. 7) may be removed, **if necessary**, to cinch strap properly around smaller poles, such as those on the minimum end of the circumference range. For all other pole applications, the wear pad should be used. When reinstalling the wear pad, be sure that the arrow on the wear pad label is pointing upward, while the gaffs on the security strap point downward.



Fig. 7

1. **To shorten the inner security strap**, pull the loose end of the strap through the cam buckle until the required length is achieved.
2. **To lengthen the inner security strap**, release the cam buckle by pushing in the serrated part of the silver cam (see Fig. 8) and loosen the inner strap, allowing webbing to pass back through the cam buckle, until the required length is achieved.

Fig. 8



4.1.3 Adjusting the Length of the Pole Strap Webbing

1. **To shorten the pole strap**, put one arm around the pole and pull yourself closer to the pole, taking weight off of the pole strap assembly. With the opposite hand, pull the loose end of the strap through the pivoting friction buckle pole strap adjuster (see Fig. 9) until the desired length is achieved. Both pole strap ends may need to be adjusted to achieve the desired length.
2. **To lengthen the pole strap**, put one arm around the pole and pull yourself closer to the pole, taking weight off of the pole strap assembly. With the opposite hand, grasp the angled portion of the pole strap adjuster and pull it outward, away from the strap, at a 90° angle (see Fig. 10). Slowly lean back to allow the webbing to pass through the pole strap adjuster in a controlled manner to gain the extra length needed.

Fig. 9

Pull loose end of webbing through friction buckle



Fig. 10



Fig. 11

The increased adjustability of the StopFall Device allows linemen enhanced ergonomic conditions for proper work positioning. Use the length of your forearm as a guide for establishing a good climbing angle between body and pole.



4.2 Using and Maneuvering the StopFall

4.2.1 Climbing up the Pole

1. Pull gaff pullers toward you to stretch the springs enough to allow a comfortable clearance of the inner security strap from the pole (see Fig. 12). The recommended distance for the cross strap from the pole is 2 in. (5cm).
2. While holding the gaff pullers and cross strap away from the pole, and at the same time holding the pole strap, climb with an upward flipping motion ("hitchhiking") of the pole strap, alternating with a step up.



Fig. 12

4.2.2 Climbing down the Pole

1. Pull gaff pullers toward you to stretch the springs enough to allow a comfortable clearance of the cross strap from the pole (see Fig. 12). The recommended distance for the inner security strap from the pole is 2 in. (5cm).
2. While holding the gaff pullers and cross strap away from the pole, and at the same time holding the pole strap, descend by flipping the pole strap downward ("hitchhiking"), alternating with a step down.

4.2.3 Maneuvering around the Pole

1. **To move to the right**, with your left hand pull the left gaff puller toward you so that the cross strap is clear of the pole. Maintaining this hand position and leaning back to create tension on the pole strap, shift position with your feet.
2. **To move to the left**, with your right hand pull the right gaff puller toward you so that the cross strap is clear of the pole. While maintaining this hand position and leaning back to create tension on the pole strap, shift position with your feet.

4.2.4 Climbing past Obstacles

Procedure varies depending on secondary back-up fall protection system being used. (Refer to 5.0 Installation & Use of Secondary (Back-up) Devices with StopFall.)

WARNING!

A secondary or back-up device must be used with the StopFall for bypassing obstructions during the climb/descent. Never detach the StopFall during use unless the back-up device is in place. A four (4) D-ring Lineman's Belt is recommended when using a secondary or back-up device.

5.0 Installation and Use of Secondary (Back-up) Devices with StopFall

5.1 Miller 8327SW Retractable Web Lanyard

The Miller 8327SW Retractable Web Lanyard is designed to allow linemen to bypass obstructions safely in pole climbing applications. The 8327SW Lanyard must be used in conjunction with the Miller StopFall Fall Restraint Device or with another Miller approved work positioning and fall restraint system for climbing poles. The 8327SW is easily adjustable and includes a carabiner and attachment bracket for installation on linemen's belts.



Model No.	Description/Materials	Length
8327SW/	1-3/4 in. (44mm) polyester webbing; stamped steel with thermoplastic cover; zinc plated steel carabiner; stainless steel bracket with hardware	Available in 6ft. (1.8m), 8 ft. (2.4m) or 10 ft. (3m)

FOR USE BY ONE PERSON ONLY

Maximum Capacity (including body weight, tools and clothing): 310 lbs. (140.6kg)

WARNINGS:

- **DO NOT** use the 8327SW as a connecting device between an anchorage/anchorage connector and a harness back D-ring.
- **DO NOT** attach the lanyard back onto itself or use in a choking/tie-back manner.
- **DO NOT** wrap around sharp members.
- **ALWAYS** visually check that the carabiner freely engages the D-ring and that its gate is completely closed and locked when in use. Make sure that the carabiner is positioned so that its gate is never load bearing.
- **NEVER** use the 8327SW back-up device for work positioning.
- **GUARD AGAINST** debris (twigs, ice, snow, pebbles, etc.) which could interfere with the function of the product.

Fig. 13

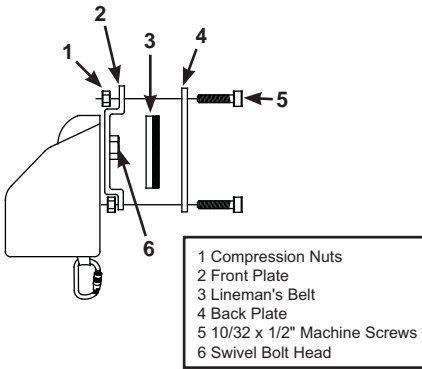
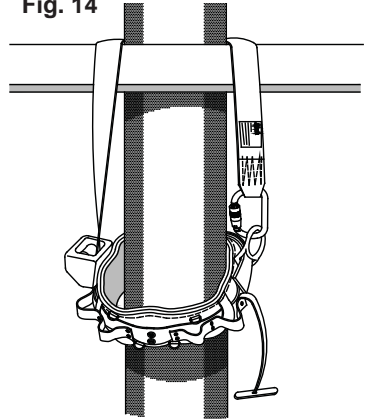


Fig. 14



Attaching 8327SW Retractable Lanyard to Lineman's Belt

1. Place front and back plates of the lanyard bracket on either side of the lineman's belt and attach screws and nuts (see Fig. 13). Tighten until snug. *Note:* The 8327SW Retractable Lanyard pivots on the bracket so that the lanyard with carabiner is always oriented downward when not in use.

Climbing Past Obstacles

1. Prior to detaching the StopFall Device (or other Miller approved positioning and fall restraint system), deploy the web retractable by grasping the carabiner and pulling out the web lanyard.
2. Wrap the web lanyard around the pole, above the obstruction if ascending or below the obstruction if descending, and connect the carabiner to the side work positioning D-ring on the lineman's belt/safety belt opposite the web retractable (see Fig.14).
3. Adjust the length of the web lanyard to the shortest possible to minimize potential fall distance.
4. Ensure that the web retractable back-up device is engaged and all connections are secure and in the closed/locked position. Then disconnect the StopFall. Position the StopFall above (or below) the obstruction and reconnect. Once the StopFall device is properly secured, disconnect the retractable lanyard and allow it to slowly retract back into the unit housing.

5.2 Miller Adjustable Rope Lanyard

The Miller Adjustable Rope Lanyard is a fall protection accessory product/positioning device designed to allow linemen to bypass obstructions safely in pole climbing applications. The Adjustable Rope Lanyard is intended for work positioning and restraint only and must be used in conjunction with the Miller StopFall Fall Restraint Device or with another Miller approved work positioning and fall restraint system for climbing poles.



Model No.	Description/Materials	Length
ARL-100-Z7/8FT	10.5 mm polyamide kernmantle rope; steel cam adjuster; steel snap hook; steel carabiner	8 ft. (2.4m)

FOR USE BY ONE PERSON ONLY

Maximum Capacity (including body weight, tools and clothing): *400 lbs. (181.4kg)

[Note: If the system is used by an employee having a combined tool and body weight between 310 lbs. (140.6 kg) and 400 lbs. (181.4 kg), then the employer must appropriately modify the criteria and protocols to provide proper protection for such heavier weights, or the system will not be deemed to be in compliance with the requirements of OSHA 1926.502(d)(16).]

*ANSI Z359.3 capacity range is 130 lbs. (59kg) to 310 lbs. (140.6kg).

Meets OSHA, CSA Z259.11 and ANSI Z359.3

WARNINGS:

- **DO NOT use the Adjustable Rope Lanyard as a connecting device between an anchorage/ anchorage connector and a harness back D-ring.**
- **DO NOT attach the lanyard back onto itself or use in a choking/tie-back manner.**
- **DO NOT wrap around sharp members.**
- **ALWAYS visually check that each snap hook and carabiner freely engages the D-ring and that its gate is completely closed and locked when in use. Make sure that the snap hook/ carabiner is positioned so that its gate is never load bearing.**
- **GUARD AGAINST debris (twigs, ice, snow, pebbles, etc.) which could interfere with the function of the product.**

Climbing Past Obstacles

1. When an obstruction is encountered while ascending or descending a pole, connect the snap hook to the side/work positioning D-ring on the linemen's belt and wrap the rope lanyard around the pole above the obstruction if ascending or below the obstruction if descending. Then connect the carabiner to the opposite side/work positioning D-ring on the belt.
2. Adjust the length of the lanyard (see Fig. 15 & 16) as needed so that the rope adjuster will engage when leaning back.

To operate the adjuster (see Fig. 15), push forward on the eye of the cam and move it along the lanyard. Once in the required position for proper engagement of the rope adjuster, release the cam and provide tension by leaning back slowly. To further tighten or shorten the lanyard, put one arm around the pole and pull yourself closer to the pole, taking weight off of the lanyard assembly. Then pull the free end of the rope through the cam lever (see Fig. 16).

Fig. 15



OPEN CAM



CLOSED CAM

Fig. 16



Fig. 17

3. Ensure that the secondary (back-up) device/rope adjuster is engaged and all connections are secure and in the closed/locked position (see Fig. 17). Then disconnect the primary work positioning and fall restraint system (i.e., StopFall). Position the primary system above (or below) the obstruction and reconnect.

WARNING: While climbing above or below an obstruction to reconnect the primary work positioning and fall restraint system, ensure that the lanyard is adjusted to proper length to minimize potential fall distance to 2 ft. (610mm) or less. Maintain tension on the device at all times to keep system engaged.

4. Ensure that the primary system is properly secured according to the manufacturer's instructions; then disconnect the adjustable lanyard and continue to climb/descend the pole.



5.3 Miller Safety Straps

The Miller Safety Strap is designed to be used as a back-up positioning and fall restraint device to allow linemen to bypass obstructions when climbing poles. It must be used in conjunction with the Miller StopFall Fall Restraint Device or with another Miller approved work positioning and fall restraint system.



Model No.	Description/Materials	Length
6NFLS/6FTYL	1-3/4 in. (44mm) wide, 100% nylon safety strap; steel friction buckle adjuster; steel snap hooks	6 ft. (1.8m)
7NFLS/7FTYL	1-3/4 in. (44mm) wide, 100% nylon safety strap; steel friction buckle adjuster; steel snap hooks	7 ft. (2.1m)
6YRLS/6FTBR	1-3/4 in. (44mm) wide, 6-ply neoprene safety strap; steel tongue buckle adjuster; steel snap hooks	6 ft. (1.8m)
7YRLS/7FTBR	1-3/4 in. (44mm) wide, 6-ply neoprene safety strap; steel tongue buckle adjuster; steel snap hooks	7 ft. (2.1m)

FOR USE BY ONE PERSON ONLY

Maximum Capacity (including body weight, tools and clothing): 310 lbs. (140.6kg)

WARNINGS:

- **DO NOT use the Miller Safety Strap as a connecting device between an anchorage/anchorage connector and a harness back D-ring.**
- **DO NOT wrap around sharp members.**
- **ALWAYS visually check that each snap hook freely engages the D-ring and that its gate is completely closed and locked when in use. Make sure that the snap hook is positioned so that its gate is never load bearing.**
- **GUARD AGAINST debris (twigs, ice, snow, pebbles, etc.) which could interfere with the function of the product.**

Climbing Past Obstacles

1. When an obstruction is encountered while ascending or descending a pole, connect one safety strap snap hook to the side/work positioning D-ring on the linemen's belt and wrap the safety strap around the pole above the obstruction if ascending or below the obstruction if descending. Then connect the second snap hook to the opposite side/work positioning D-ring on the belt.
2. Adjust the length of the strap as needed to minimize potential fall distance.
3. Ensure that the safety strap is engaged and all connections are secure and in the closed/locked position. Then disconnect the StopFall. Position the StopFall above (or below) the obstruction and reconnect. Once the StopFall device is properly secured, disconnect the safety strap.

6.0 Inspection and Maintenance

6.1 Inspection

Miller brand products are designed for today's rugged work environments. To maintain their service life and high performance, products should be inspected frequently. **The devices included in this manual must be visually inspected by the user before each use and inspected by a Competent Person on a regular basis, at least annually. Do not use if any of the following conditions is detected.**

StopFall Device

Inspect product for any of the following: bent, cracked, distorted, worn, malfunctioning or damaged parts; loose fasteners or missing parts/components; deterioration; deformation; corrosion; signs that indicate the product has been subjected to fall forces; or any other indications of damage/problems that may affect the integrity and operation of the product. If in doubt, contact the manufacturer.

1. Pole Strap and Inner Security Strap Webbing: With hands 6 to 8 inches apart, grasp the webbing strap and bend in an inverted "U" making cuts and damaged fibers easier to detect. Inspect for badly frayed edges, broken fibers, pulled stitches, cuts or chemical damage (refer to Table 1).

Note: Some surface fraying may become apparent on the inner security strap after a relatively short period of use in contact with a pole. This is not a concern provided that cuts, chemical damage, etc., are not present. Proper use of the wear pad will prolong the life of the inner security strap.

2. Outer Wear Strap: Inspect using the same method as that for webbing. Inspect for cuts, red liner (wear indicator) or chemical damage.

3. Neoprene Outer Pole Strap Wear Pad and Neoprene Inner Security Strap Wear Pad: Wear pads should be looked at carefully for excessive wear. When neoprene grooves are worn to the height of stitching, the StopFall Device should be returned for repair or replacement. Also inspect for cuts and chemical damage.

4. Hardware: Check all hardware for distortion, damage, cracks, breaks, corrosion, or pitted surfaces. Check webbing attachments of hardware for unusual wear, frayed or cut fibers, or broken stitching.

4a. Snap Hooks: Inspect for hook and eye distortion. The gate (keeper) should seat into the nose without binding and should not be distorted or obstructed. The gate spring should exert sufficient force to firmly close the gate. The gate locking mechanism must prevent the gate from opening when closed.

4b. Pivoting Pole Strap Adjusters/Buckles: Inspect for distortion. Ensure that adjusters/buckles are operating freely, properly, and only as intended by the manufacturer. Adjusters/buckles should allow webbing to pass through easily when in adjustment mode and hold webbing securely when not in adjustment mode.

4c. Sliding Gaff Assemblies/Disconnect Assembly: Check that the gaff edges are clean with a sharp, undamaged edge. The roller pin screws should be tight and the rollers and pins straight. The leaf spring should be in a position to hold the "T" head male pin of the disconnect assembly in its slot.

4d. Springs: Unzip protective spring covers to fully inspect spring assemblies. Check that at least one full turn of the return spring is attached to the sliding gaff assemblies. Spring connectors on gaff assemblies should be tight with the shoulder resting firmly against the assembly. Extend the springs and inspect them for overextended or weak spots. Release the sliding gaff assemblies to be sure the springs react to pull the inner security strap in quickly toward the pole. Ensure that center spring anchor rivets are tight.

4e. Bell Rivets/Rivets/Snaps: Inspect to be sure these are not missing or loose. Inspect that all rivets/snaps are properly set. A loose rivet/snap will eventually fail.

If inspection reveals a defect in condition or operation or if the device has been subjected to impact loading, it must be removed from service.

Secondary/Back-up Devices: 8327SW Retractable Web Lanyard, Adjustable Rope Lanyard, and Safety Straps

Inspect product for any of the following: bent, cracked, distorted, worn, malfunctioning or damaged parts; loose fasteners or missing parts/components; deterioration; deformation; corrosion; signs that indicate the product has been subjected to fall forces; or any other indications of damage/problems that may affect the integrity and operation of the product. If in doubt, contact the manufacturer.

8327SW Retractable Web Lanyard:

1. Lanyard Retraction: With the device in the mounted position, test the lanyard retraction and tension by pulling out several feet of the webbing and allowing it to retract back into the unit. Always maintain a light tension on the webbing as it retracts. The webbing should pull out freely and retract all the way back into the unit without sticking.
2. Webbing: The entire length of the webbing should be checked for signs of damage. Inspect for cuts, burns, chemical damage (refer to Table 1), kinks, frays, worn areas, and broken fibers. Inspect any sewing for loose, broken, or damaged stitches.
3. Braking Mechanism: The braking mechanism can be tested by grasping the webbing ABOVE the load indicator and applying a sharp steady pull downward which will engage the brakes. There should be no slippage of the webbing while the brakes are engaged. Once tension is released, the brakes will disengage and the unit will return to the retractable mode.
4. Load Indicator: A fold sewn into the webbing lifeline above the carabiner serves as the impact indicator. A warning flag is included and will be exposed should the lanyard be subjected to fall forces.
5. Carabiner: Inspect for distortion. The gate (keeper) should seat into the nose without binding and should not be distorted or obstructed. The gate spring should exert sufficient force to firmly close the gate. The gate locking mechanism must prevent the gate from opening when closed.
6. Attachment Bracket: Inspect for missing or loose components and ensure that all components are in good condition.

Adjustable Rope Lanyard:

1. Rope Lanyard: Check the entire length and circumference of the rope for cuts, burns, severely abraded areas, kinking, knots, broken/pulled strands, and excessive wear. Inspect for inconsistent rope diameter, changes in texture, loss of elasticity/stiffness, and changes in appearance (shriveled brownish look; hard shiny spots; etc.) which may be evidence of heat and chemical damage (refer to Table 1) or exposure to impact loading. Ensure that rope stitching and splicing are intact and free of defects.

2. Hardware: Check all hardware for distortion, damage, cracks, breaks, corrosion, or pitted surfaces. Check webbing attachments of hardware for unusual wear, frayed or cut fibers, or broken stitching.

2a. Snap Hook/Carabiner: Carabiner/snap hook gate (keeper) should seat into the nose without binding and should not be distorted or obstructed. Gate spring should exert sufficient force to firmly close the gate. The gate locking mechanism must prevent the gate from opening when closed.

2b. Adjuster/Cam: Ensure that adjuster/cam is operating freely, properly and only as intended by the manufacturer. Arrow on adjuster must always be oriented toward the snap hook end of the rope lanyard.

Safety Straps:

1. Webbing: With hands 6 to 8 inches apart, grasp the webbing strap and bend in an inverted “U” making cuts and damaged fibers easier to detect. Inspect for badly frayed edges, broken fibers, pulled stitches, cuts or chemical damage (refer to Table 1).

2. Hardware: Check all hardware for distortion, damage, cracks, breaks, corrosion, or pitted surfaces. Check webbing attachments of hardware for unusual wear, frayed or cut fibers, or broken stitching.

2a. Snap Hooks: Inspect for hook and eye distortion. The gate (keeper) should seat into the nose without binding and should not be distorted or obstructed. The gate spring should exert sufficient force to firmly close the gate. The gate locking mechanism must prevent the gate from opening when closed.

2b. Adjusters/Buckles: Inspect for distortion. Ensure that adjusters/buckles are operating freely, properly, and only as intended by the manufacturer.

The outer and center bars of the friction buckle must be straight. Friction buckles should allow webbing to pass through easily when in adjustment mode and hold webbing securely when not in adjustment mode. Buckle tongues should be free of distortion in shape and motion. They should overlap the buckle frame and move freely back and forth in their socket. Roller should turn freely on frame. Check for distortion or sharp edges. Inspect for loose, distorted or broken grommets. Webbing should not have additional punched holes.

If inspection reveals a defect in condition or operation or if the device has been subjected to impact loading, it must be removed from service.

Table 1 - Types of Material Damage

HEAT	CHEMICAL	MOLTEN METAL OR FLAME	PAINTS AND SOLVENTS
In excessive heat, rope/webbing becomes brittle and has a shriveled brownish appearance. Fibers will break when flexed. Nylon should not be used above 180°F; polyester should be used above 200°F.	Change in color usually appearing as a brownish smear or smudge. Transverse cracks when rope/webbing is bent over a mandrel. Loss of elasticity in rope/webbing.	Rope/webbing strands fuse together. Hard shiny spots. Hard and brittle feel.	Paint which penetrates and dries restricts movement of fibers. Drying agents and solvents in some paints will appear as chemical damage.

Contact Miller Technical Service Department at 800-873-5242 if you have any questions about the above chart.

6.2 Cleaning and Storage

Basic care of all Miller Fall Protection equipment will prolong the life of the unit and will contribute toward the performance of its vital safety function. Periodically clean the device to remove any dirt, paint, corrosives, contaminants, or other materials that may have accumulated. Wipe off all surface dirt with a sponge dampened in plain water or a mild solution of water and commercial soap or detergent. Then wipe dry with a clean cloth. Hang freely to dry away from excessive heat, steam or long periods of sunlight. Make sure that all components with moving functioning parts are clear of dirt and foreign materials which may prevent them from operating properly. When not in use, store in a clean, dry area, free of exposure to fumes or corrosive elements.

6.3 Servicing

Servicing of Miller Fall Protection equipment must only be carried out by Miller Fall Protection or persons or entities authorized in writing by Miller Fall Protection. A record log of all servicing and inspection dates for this device must be maintained. Only original Miller replacement parts are approved for use in this device. Non-repairable devices that do not pass inspection must be disposed of in a manner to prevent inadvertent further use. Contact Miller Technical Services at 800.873.5242 if you have any questions.

Merci

Nous désirons vous remercier d'avoir acheté un équipement de Miller Fall Protection. Les produits de marque Miller sont fabriqués selon des normes de qualité des plus rigoureuses, dans notre usine certifiée ISO 9001. Bien entretenu, un équipement Miller Fall Protection s'utilise des années durant.

AVERTISSEMENT

Toutes les personnes qui utilisent cet équipement doivent lire, comprendre et suivre toutes les instructions. Tout manquement à cette règle peut avoir pour conséquence des blessures graves ou la mort. Ne pas utiliser cet équipement à moins d'avoir reçu une formation adéquate.

Des Questions? Appelez 1.800.873.5242

Il est essentiel que la personne autorisée à utiliser cet équipement de protection contre les chutes lise et comprenne ces instructions. De plus, il incombe à l'employeur de s'assurer que tous les utilisateurs sont formés à l'emploi, à l'inspection et à l'entretien adéquats de l'équipement de protection contre les chutes. La formation sur la protection contre les chutes devrait faire partie intégrante d'un programme global de sécurité.

L'utilisation adéquate de systèmes d'arrêt de chute peut épargner des vies et réduire le risque de blessures graves consécutives à une chute. L'utilisateur doit être sensibilisé au fait que les forces subies lors d'un arrêt de chute ou d'une suspension prolongée peuvent causer des blessures corporelles. Dans l'incertitude sur la capacité de la personne à utiliser ce produit, consulter un médecin. Les femmes enceintes et les mineurs ne doivent pas utiliser ce produit.

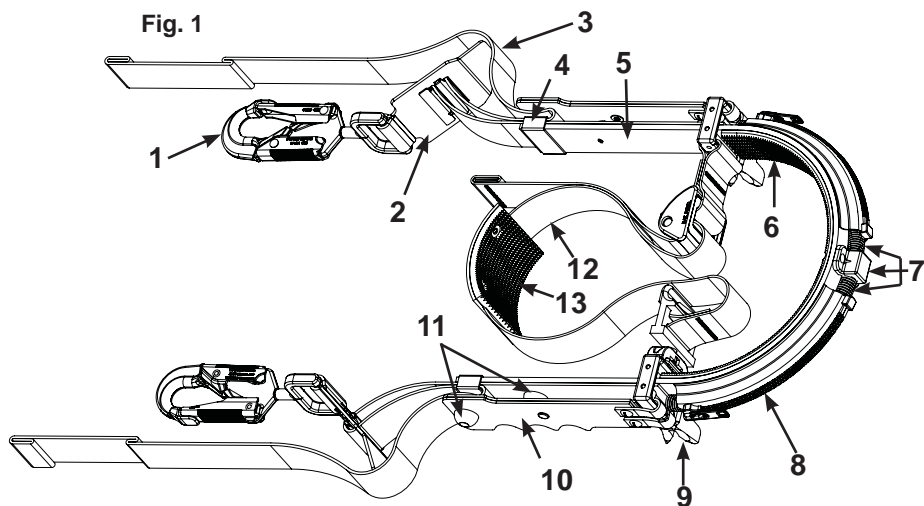
1.0 Objet

Le dispositif de sécurité antichute StopFall™ de Miller (modèle 7700A/YL/GP-1) vous assure une position de travail confortable et sûre tout en prévenant les chutes lors de travaux sur des poteaux en bois. Ce dispositif est adapté aux poteaux d'une circonférence allant de 50,8 cm (20 po) à 152,4 cm (60 po). Grâce à ses griffes à ressort qui « mordent » dans les poteaux en bois, que ceux-ci soient secs, humides ou gelés, ce dispositif vous procure une sécurité optimale lors de l'escalade de poteaux en bois. Le dispositif de sécurité antichute StopFall est conforme aux normes OSHA et CSA Z259.14-01 relatives aux dispositifs de types A et AB.

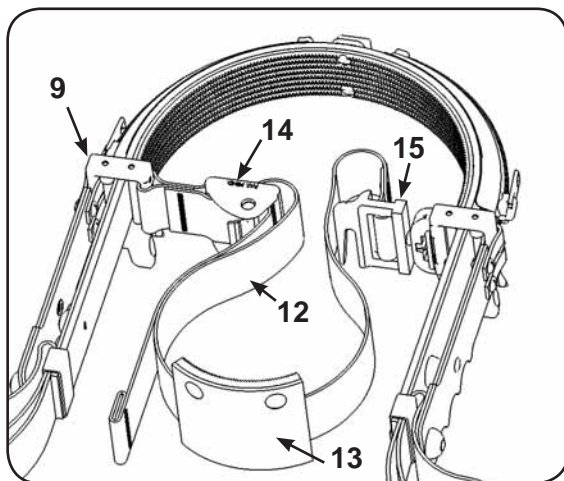
2.0 Caractéristiques du dispositif StopFall et de ses composants

Modèle n°	Description	Circonférence des poteaux compatibles	Matériaux	Poids
7700A/YL/GP-1	Dispositif de sécurité antichute StopFall doté d'une sangle robuste extérieure, d'une sangle intérieure de sécurité et de griffes uniques assurant une adhérence immédiate aux poteaux en bois (extracteurs de griffes inclus)	De 50,8 cm (20 po) à 152,4 cm (60 po)	Sangle de poteau : sangle en polyester d'une force de traction maximale de 35,6 kN (8000 lbf), sangle intérieure en cuir, plaque d'usure en néoprène et rivet d'arrêt en acier inoxydable Sangle croisée de sécurité : sangle en polyester d'une force de traction maximale de 29 kN (6500 lbf) et plaque d'usure en néoprène Boucle à came : acier inoxydable, aluminium et nylon chargé de verre Ensembles de désaccouplage et de griffes : acier et acier inoxydable Extracteurs de griffes : courroie de trois couches de nylon avec attaches en cuir, rondelle/rivet en acier zingué et rivet d'arrêt nickelé Quincaillerie : acier et acier inoxydable d'une force de traction minimum de 22,2 kN (5000 lbf)	6.6 lbs (3kg)

Dispositif de sécurité antichute StopFall



Assemblée de sangle de sécurité intérieure



1 Mousqueton à verrouillage
Raccordement compatible avec les anneaux en D des ceintures de monteur de Miller

2 Boucle à friction pivotante permettant l'ajustement de la sangle de poteau

Elle permet à l'utilisateur d'ajuster la longueur de la sangle aussi bien au sol que sur un poteau

3 Sangle de poteau
Sangle robuste en polyester

4 Coulant élastique et flexible
Il permet de maintenir la sangle en place

5 Sangle robuste extérieure avec témoin d'usure
Sangle robuste à usage prolongé avec témoin d'usure facilitant l'inspection

6 Plaque d'usure résistante en néoprène fixée sur la sangle de poteau extérieure
Elle offre une force de traction supplémentaire lors de l'escalade et une meilleure résistance à l'usure

7 Attache de ressorts centrale et ressorts de rappel
L'ensemble de ressorts en deux parties permet de ne pas avoir de circuit électrique fermé

8 Revêtement de protection des ressorts
Il protège les ressorts et est doté d'une fermeture à glissière isolante permettant d'accéder aux ressorts pour une inspection intégrale

9 Ensemble de griffes coulissantes
Ces griffes à ressort offrent une adhérence immédiate aux poteaux en bois. En outre, les rouleaux en nylon permettent aux griffes de bouger librement et de minimiser l'abrasion de la sangle de poteau

10 Extracteurs de griffes
Ils permettent de manipuler facilement les griffes en toute sécurité

11 Rivets d'arrêt
Ils empêchent les griffes de glisser hors de la sangle et les mains de déraiper lors de l'utilisation des extracteurs de griffes

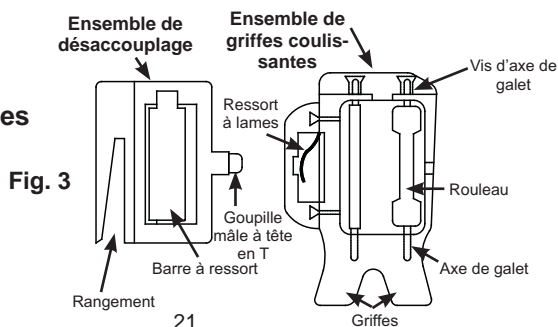
12 Sangle de sécurité intérieure
Sangle robuste en polyester

13 Plaque d'usure résistante en néoprène fixée sur la sangle de sécurité intérieure
Elle offre une force de traction supplémentaire lors de l'escalade et une meilleure résistance à l'usure

14 Boucle à came permettant l'ajustement de la sangle
Le confort de ce dispositif de sécurité anti-chute réside dans la possibilité d'ajuster la longueur de la sangle de sécurité intérieure

15 Ensemble de désaccouplage avec rangement
Il permet de détacher la sangle croisée et de la ranger en l'accrochant sur la sangle de poteau lorsqu'elle n'est pas utilisée, comme lors du contournement d'un obstacle

Ensembles de désaccouplage et de griffes coulissantes



3.0 Exigences Générales, Avertissements et Limitations

Les avertissements et instructions devront être mis à la disposition des personnes/utilisateurs autorisés.

Les personnes/utilisateurs autorisés doivent se reporter à la réglementation applicable en matière de sécurité en milieu de travail, ainsi qu'aux normes ANSI ou CSA pertinentes. Veuillez vous reporter aux étiquettes apposées sur les produits pour des informations plus détaillées sur les règlements OSHA, ainsi que les normes ANSI et CSA auxquelles ces produits sont conformes.

Des précautions doivent être prises afin d'éliminer de la zone de travail les obstacles, débris, matériaux ou autres éléments présentant un danger et qui pourraient causer des blessures ou nuire au bon fonctionnement du système.

L'équipement doit être inspecté avant chaque utilisation selon les directives du fabricant.

L'équipement doit être régulièrement inspecté par une personne qualifiée.

Pour minimiser le risque de décrochage accidentel, une personne compétente doit s'assurer de la compatibilité du système.

Il est interdit de modifier l'équipement, de quelque façon que ce soit. Les réparations doivent être effectuées uniquement par le fabricant de l'équipement, ou par des personnes ou entités autorisées par écrit par le fabricant.

Tout produit déformé, anormalement usé ou détérioré doit être immédiatement mis au rebut.

Tout équipement soumis à une chute doit être mis hors service.

L'utilisateur doit posséder un plan de sauvetage et avoir les moyens de le mettre en œuvre lorsqu'il utilise cet équipement.

Ne jamais utiliser un équipement de protection contre les chutes dans un but autre que celui

pour lequel il a été prévu. Ne jamais utiliser un tel équipement pour remorquer ou lever une charge.

Ne pas exposer le matériel à des risques environnementaux ni à des produits chimiques susceptibles de produire un effet nuisible.

L'utilisation dans un milieu corrosif ou caustique exige un programme d'inspection et d'entretien plus fréquent pour maintenir l'intégrité du produit.

Éviter tout contact entre un équipement et un objet susceptible de l'endommager, incluant notamment, sans que la liste soit exhaustive : des arêtes vives, une surface abrasive, rugueuse ou à haute température, du matériel de soudage, une source de chaleur, un appareil électrique présentant un danger ou une machine mobile.

Ne pas exposer le matériel à tout risque pour lequel il n'est pas conçu. En cas de doute, consulter le fabricant.

Toujours vérifier qu'il n'y a pas d'obstacles en dessous de la zone de travail et que le trajet en cas de chute est dégagé.

Prévoir une distance de dégagement suffisante en dessous de la surface de travail.

L'acheteur de cet équipement doit assurer que le personnel utilisant cet équipement est familiarisé avec ces instructions et qu'il a eu la formation nécessaire pour connaître le fonctionnement, les limites d'utilisation, l'installation, l'inspection et l'entretien de ce produit. La formation doit être effectuée régulièrement sans exposer le travailleur à un danger de chute.

Ne jamais ôter une étiquette apposée sur un produit; des informations et avertissements importants y sont en effet inscrits à l'intention de la personne/de l'utilisateur autorisé.

4.0 Installation et utilisation du dispositif StopFall

Avertissements et Limitations

Avant d'utiliser le dispositif StopFall, inspectez-le minutieusement afin de vous assurer qu'il est en bon état. Vérifier s'il manque des pièces ou s'il y en a d'abîmées. Ne pas se servir de l'équipement si l'un des composants ne fonctionne pas adéquatement ou si l'élément semble abîmé d'une façon quelconque. Se reporter à la section « Inspection » du présent manuel.

Seule une personne formée et compétente peut installer et utiliser cet équipement.

À utiliser par UNE SEULE personne. Capacité maximum : 140,6 kg (310 lbs)*, y compris les poids du corps, des vêtements et des outils. — NE PAS EXCÉDER CE POIDS.

Ce dispositif est conçu exclusivement pour un usage sur des poteaux en bois. **NE L'UTILISEZ PAS POUR ESCALADER DES POTEaux FAITS EN UN AUTRE MATÉRIAU QUE DU BOIS.**

Assurez-vous d'examiner avec soin l'état du poteau avant d'entamer son escalade. Tout manquement à cette règle peut avoir pour conséquence des blessures graves ou la mort. En cas de doutes quant à la solidité ou la stabilité du poteau, ne l'escaladez pas.

Le dispositif StopFall doit être utilisé avec les composants approuvés par Miller. Les substitutions ou les remplacements par des combinaisons de composants ou de sous-systèmes non approuvés peuvent nuire à leur sécurité de fonctionnement réciproque et ainsi remettre en cause la compatibilité des éléments du système. Cette incompatibilité peut nuire à la sécurité et à la fiabilité de l'ensemble du système.

Nous vous recommandons d'utiliser avec le dispositif StopFall une ceinture de monteur avec quatre anneaux en D, telle que la ceinture Black Beauty de Miller (modèle 8449-1), ainsi qu'un dispositif antichute de secours, comme la longe ajustable de Miller (modèle ARL-100-Z7).

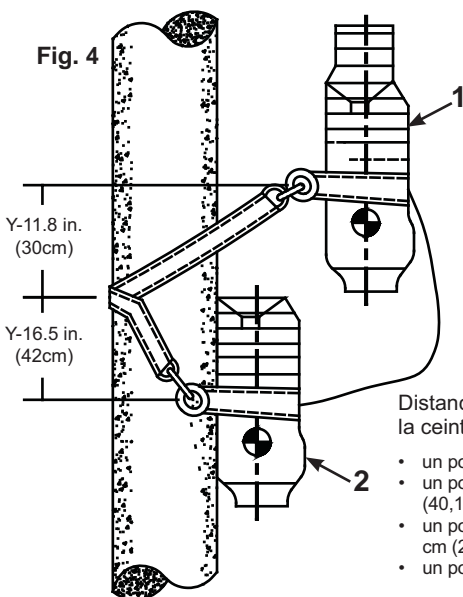
L'équipement antichute utilisé avec ce produit doit être installé conformément aux exigences réglementaires en la matière. [Toutes les directives et tous les avertissements fournis avec les composants doivent être lus et compris avant d'utiliser l'équipement.]

S'assurer que tous les raccords dans le système d'arrêt de chute sont compatibles.

4.1 Installation et réglage du dispositif StopFall

Avertissements

- Vérifiez que la sangle de sécurité intérieure est convenablement réglée, à savoir que sa longueur assure un blocage adéquat en cas de chute.
- Un dispositif accessoire ou un équipement de secours doit être utilisé avec le dispositif StopFall pour le franchissement d'obstacles lors de la montée ou de la descente. Ne détachez en aucun cas le dispositif StopFall lors de son utilisation tant qu'un équipement de secours n'est pas installé.
- Afin de minimiser les conséquences d'une chute potentielle, la sangle de poteau du dispositif doit être réglée à la longueur la plus courte possible assurant le confort au cours de l'opération à effectuer.
- Servez-vous des extracteurs de griffes de manière à tenir les doigts éloignés de l'extrémité des griffes. Tout manquement à cette règle peut avoir pour conséquence d'avoir les doigts pincés par les griffes en cas de chute.
- Pour connaître les distances totales maximums de chute prévues à partir de l'équipement antichute principal jusqu'à la ceinture de monteur, consultez la figure 4.



Distances de chute totales prévues

Position 1 : le torse se trouve à une distance Y de 30 cm (11,8 po) au-dessus de l'équipement antichute.

Position 2 : après la chute, le torse se trouve contre le poteau à une distance de 42 cm (16,5 po) au-dessous de l'équipement antichute. D'une hauteur maximum au-dessus de l'équipement antichute à la ceinture de monteur attachée à l'équipement antichute en dessous, la ceinture de monteur attachée à l'équipement antichute est tombée de 72 cm (28,3 po) en plus du glissement de l'équipement antichute.

Distance de chute moyenne du point d'origine de la chute à la ceinture de monteur sur :

- un poteau sec : 1 cm (0,4 po) + 72 cm (28,3 po) = 73 cm (28,7 po)
- un poteau humide : 30 cm (11,8 po) + 72 cm (28,3 po) = 102 cm (40,1 po)
- un poteau humide avec conduit de câbles : 47 cm (18,5 po) + 72 cm (28,3 po) = 119 cm (46,8 po)
- un poteau gelé : 17 cm (6,7 po) + 72 cm (28,3 po) = 89 cm (35 po)

Fig. 5

4.1.1 Fixation du dispositif Stop-Fall avant d'effectuer une escalade (voir figure 5)

1. Maintenez la sangle de poteau StopFall à l'extérieur devant vous en saisissant la sangle intérieure près des extrémités. Assurez-vous que les griffes sont pointées vers le bas.
2. Fixez l'un des mousquetons de la sangle de poteau à l'anneau en D du côté correspondant de la ceinture de monteur ou de sécurité.
3. Détachez la sangle de sécurité intérieure en enfonçant la poignée de l'ensemble de désaccouplage, puis en la tournant de 90 degrés de manière à détacher cet ensemble de l'ensemble de griffes (voir figure 6).
4. Saisissez l'extrémité détachée de la sangle de poteau pour passer la sangle autour du poteau, puis fixez le mousqueton à l'anneau en D du côté correspondant de la ceinture de monteur ou de sécurité.
5. Rattachez la sangle croisée en vous assurant que la goupille à tête en T de l'ensemble de désaccouplage est correctement insérée dans la fente de l'ensemble de griffes et qu'elle y est maintenue par le ressort à lames.
6. À l'aide de la boucle à came (voir figure 8), ajustez la longueur de la sangle de sécurité intérieure de manière à ce que celle-ci sangle le poteau et permette au dispositif de rester en place sur le poteau sans aucune assistance (voir partie 4.1.2).
7. À l'aide de la boucle à friction pivotante de la sangle de poteau (voir figures 9 et 10), ajustez la longueur de la sangle de poteau pour que votre angle d'escalade sur le poteau soit confortable (voir partie 4.1.3).
8. Vous êtes prêt à escalader.



Fig. 6



4.1.2 Ajustement de la longueur de la sangle de sécurité intérieure

Remarque : la plaque d'usure de la sangle de sécurité intérieure (voir figure 7) peut être ôtée, si cela est nécessaire, afin de pouvoir sangler convenablement des poteaux de petite circonférence, jusqu'à un minimum de 50,8 cm. Pour tout autre usage, la plaque d'usure doit être utilisée. Lorsque vous réinstallez la plaque d'usure, assurez-vous que la flèche se trouvant sur l'étiquette pointe vers le haut tandis que les griffes de la sangle de sécurité sont pointées vers le bas.

1. **Pour raccourcir la sangle de sécurité intérieure**, tirez le bout flottant passant dans la boucle à came jusqu'à ce que vous obteniez la longueur souhaitée.
2. **Pour rallonger la sangle de sécurité intérieure**, desserrez la boucle à came en appuyant sur la partie dentelée de la came en argent (voir figure 8) afin que la sangle puisse y glisser jusqu'à ce que vous obteniez la longueur souhaitée.

Fig. 7



Fig. 8



4.1.3 Ajustement de la longueur de la sangle de poteau

1. **Pour raccourcir la sangle de poteau**, placez un bras autour du poteau et rapprochez-vous-en de manière à alléger le poids supporté par la sangle de poteau. Avec l'autre main, tirez le bout flottant de la sangle passant dans la boucle à friction pivotante (voir figure 9) jusqu'à ce que vous obteniez la longueur souhaitée. Pour ce faire, il se peut que vous deviez ajuster la sangle de poteau à partir de ses deux extrémités.
2. **Pour rallonger la sangle de poteau**, placez un bras autour du poteau et rapprochez-vous-en de manière à alléger le poids supporté par la sangle de poteau. Avec l'autre main, saisissez la partie oblique de la boucle à friction pivotante et tirez-la vers l'extérieur à 90 degrés, dans la direction opposée à la sangle (voir figure 10). Penchez-vous doucement en arrière pour permettre à la sangle de glisser, de manière contrôlée, dans la boucle à friction pivotante jusqu'à ce que vous obteniez la longueur souhaitée.

Fig. 9



Tirez sur le bout flottant de la sangle passant dans la boucle à friction

Fig. 10



Fig. 11

La grande capacité d'ajustement du dispositif StopFall permet aux monteurs de lignes de travailler dans de meilleures conditions ergonomiques. Basez-vous sur la longueur de votre avant-bras pour déterminer un angle d'escalade adéquate de votre corps par rapport au poteau.



4.2 Installation et manipulation du dispositif StopFall

4.2.1 Escalade d'un poteau

1. Tirez les extracteurs de griffes vers vous de manière à tendre les ressorts suffisamment pour que l'espacement entre la sangle de sécurité intérieure et le poteau soit convenable (voir figure 12). L'espacement recommandé entre la sangle croisée et le poteau est de 5 cm (2 po).
2. Tandis que vous maintenez les extracteurs de griffes et la sangle croisée éloignés du poteau et que vous tenez la sangle de poteau, escaladez en donnant des à-coups vers le haut avec la sangle de poteau (escalade artificielle) en alternant avec un mouvement ascendant.



Fig. 12

4.2.2 Descente d'un poteau

1. Tirez les extracteurs de griffes vers vous de manière à tendre les ressorts suffisamment pour que l'espacement entre la sangle croisée et le poteau soit convenable (voir figure 12). L'espacement recommandé entre la sangle de sécurité intérieure et le poteau est de 5 cm (2 po).
2. Tandis que vous maintenez les extracteurs de griffes et la sangle croisée éloignés du poteau et que vous tenez la sangle de poteau, descendez en donnant des à-coups vers le bas avec la sangle de poteau (escalade artificielle) en alternant avec un mouvement descendant.

4.2.3 Déplacement autour d'un poteau

1. **Déplacement vers la droite** : avec votre main gauche, tirez vers vous l'extracteur de griffes gauche de manière à dégager la sangle croisée du poteau. Tandis que vous maintenez la position de vos mains et que vous vous penchez en arrière pour tendre la sangle de poteau, changez de position à l'aide de vos pieds.
2. **Déplacement vers la gauche** : avec votre main droite, tirez vers vous l'extracteur de griffes droit de manière à dégager la sangle croisée du poteau. Tandis que vous maintenez la position de vos mains et que vous vous penchez en arrière pour tendre la sangle de poteau, changez de position à l'aide de vos pieds.

4.2.4 Franchissement d'obstacles

La procédure varie selon l'équipement de sécurité antichute accessoire utilisé (se référer à la partie 5.0 Installation et utilisation d'équipement accessoire (de secours) avec le dispositif StopFall.)

AVERTISSEMENT!

Un dispositif accessoire ou un équipement de secours doit être utilisé avec le dispositif StopFall pour le franchissement d'obstacles lors de la montée ou de la descente. Ne détachez en aucun cas le dispositif StopFall lors de son utilisation tant qu'un équipement de secours n'est pas installé. Nous recommandons d'utiliser une ceinture de monteur à quatre anneaux en D avec le dispositif accessoire ou l'équipement de secours.

5.0 Installation et utilisation d'équipement accessoire (de secours) avec le dispositif StopFall

5.1 Longe rétractable de Miller (modèle 8327SW)

La longe rétractable de Miller (modèle 8327SW) est conçue pour permettre aux monteurs de lignes de franchir les obstacles en toute sécurité lors de l'escalade de poteaux. Elle doit être utilisée avec le dispositif de sécurité antichute StopFall de Miller ou avec un autre équipement de prévention des chutes et de maintien au travail approuvé par Miller pour l'escalade de poteaux. Cette longe est facilement ajustable et est dotée d'un mousqueton ainsi que d'un support de fixation permettant de l'installer sur une ceinture de monteur.



Modèle n°	Description/matériaux	Longueur
8327SW/	Sangle en polyester de 44 mm (1 3/4 po), acier estampé avec enveloppe thermoplastique, mousqueton en acier plaqué zinc, support de fixation en acier inoxydable avec quincaillerie	Modèle de 1,8 m (6 pi), de 2,4 m (8 pi) et de 3 m (10 pi)

À UTILISER PAR UNE SEULE PERSONNE

Sa capacité maximale (y compris le poids du corps, les outils et les vêtements) :
140,6kg (310 lbs)

AVERTISSEMENTS:

- N'utilisez PAS la longe rétractable (modèle 8327SW) comme dispositif de connexion entre un ancrage/connecteur d'ancrage et l'anneau en D arrière d'un harnais.
- NE PAS ré-attacher la longe sur elle-même ni l'utiliser de manière à étrangler ou à ancrer sous tension.
- NE PAS enrouler la longe autour d'objets tranchants.
- Vérifiez toujours visuellement que le mousqueton se fixe aisément à l'anneau en D et que son système d'ouverture est complètement fermé et verrouillé. Assurez-vous de placer le mousqueton de manière à ce que son système d'ouverture ne soutienne aucune charge.
- N'utilisez EN AUCUN CAS la longe rétractable (modèle 8327SW) comme dispositif de maintien au travail.
- SE PROTÉGER CONTRE les objets divers (branches, morceaux de glace, neige, cailloux, etc.) pouvant interférer avec la fonction du produit.

Fig. 13

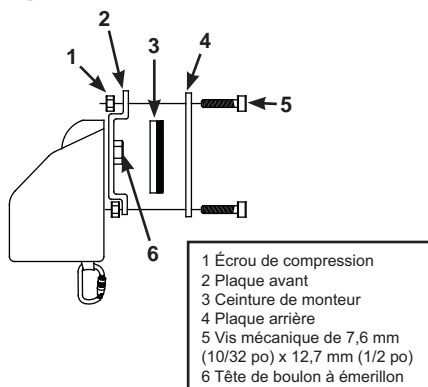
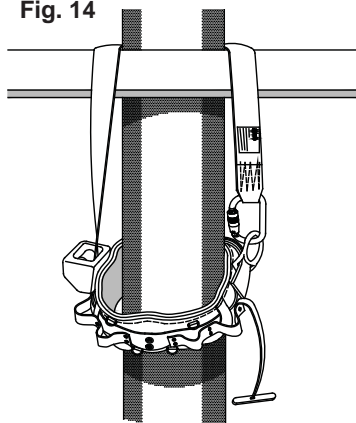


Fig. 14



Fixation de la longe rétractable (modèle 8327SW) à la ceinture de monteuse

1. Placez les plaques avant et arrière du support de fixation sur l'un des côtés de la ceinture de monteuse et vissez les écrous et vis (voir figure 13). Assurez-vous de bien les serrer.
Remarque : cette longe pivote sur le support de fixation de manière à ce que la partie comportant le mousqueton soit toujours pointée vers le bas lorsque la longe n'est pas utilisée.

Franchissement d'obstacles

1. Avant de détacher le dispositif StopFall (ou tout autre équipement de prévention des chutes et de maintien au travail approuvé par Miller), déployez la longe rétractable en saisissant le mousqueton et en tirant dessus.
2. Passez la longe autour du poteau, au-dessus de l'obstacle si vous montez ou en dessous si vous descendez, puis accrochez le mousqueton à l'anneau en D qui se trouve sur le côté de la ceinture de monteuse/sécurité opposé à celui où se trouve le support de fixation de la longe rétractable (voir figure 14).
3. Pour minimiser la distance d'une chute potentielle, raccourcissez la longueur de la longe au maximum.
4. Assurez-vous que le dispositif rétractable de secours est fixé correctement et que tous les connecteurs sont sécurisés, à savoir fermés ou verrouillés. Détachez ensuite le dispositif StopFall. Placez-le au-dessus (ou au-dessous) de l'obstacle, puis rattachez-le. Une fois que le dispositif StopFall est correctement réinstallé, détachez la longe rétractable et laissez-la doucement revenir dans son boîtier.

5.2 Longe ajustable de Miller

La longe ajustable de Miller est un équipement accessoire de prévention des chutes et de maintien au travail conçu pour permettre aux monteurs de lignes de franchir les obstacles en toute sécurité lors de l'escalade de poteaux. Elle doit être utilisée uniquement comme dispositif de prévention des chutes et de maintien au travail et en conjonction avec le dispositif de sécurité antichute StopFall de Miller ou avec un autre équipement de prévention des chutes et de maintien au travail approuvé par Miller pour l'escalade de poteaux.



Modèle n°	Description/matériaux	Longueur
ARL-100-Z7/8FT	Corde en polyamide (avec âme et gaine de protection) de 10,5 mm ; ajusteur de cliquet en acier ; crochet à ressort en acier ; mousqueton en acier	8 ft. (2.4m)

À UTILISER PAR UNE SEULE PERSONNE

**Sa capacité maximale (y compris le poids du corps, les outils et les vêtements) :
180,4 kg (400 lbs)***

[Nota : Si le système est utilisé par un employé ayant un poids combiné (outil et corps) entre 310 lb (140,6 kg) et 400 lb (181,4 kg), l'employeur doit alors modifier adéquatement les critères et protocoles afin d'assurer une protection adéquate pour de tels poids supérieurs, sinon le système ne sera pas réputé conforme aux exigences de l'OSHA 1926.502(d)(16).]

*Zone de capacité ANSI Z359.3 : 59 kg (130 lbs) à 140,6 kg (310 lbs).

Cette longe est conforme aux normes OSHA, CSA Z259.11 et ANSI Z359.3

AVERTISSEMENTS:

- **NE PAS utiliser la longe ajustable en tant que dispositif de connexion entre un ancrage/connecteur d'ancrage et un anneau en D de harnais.**
- **NE PAS ré-attacher la longe sur elle-même ni l'utiliser de manière à étrangler ou à ancrer sous tension.**
- **NE PAS enrouler la longe autour d'objets tranchants.**
- **TOUJOURS contrôler visuellement que chaque crochet à ressort/mousqueton s'engage librement dans l'anneau en D et que son loquet est complètement fermé pendant l'utilisation. S'assurer que le crochet à ressort/mousqueton est positionné de manière à ce que son loquet ne supporte jamais de charge.**
- **SE PROTÉGER CONTRE les objets divers (branches, morceaux de glace, neige, cailloux, etc.) pouvant interférer avec la fonction du produit.**

Franchissement d'obstacles

1. Si vous rencontrez un obstacle en grimpant sur un poteau ou lors de la descente, connectez le crochet à ressort à l'anneau en D de positionnement/latéral de la ceinture du travailleur et enroulez la longe autour du poteau au-dessus de l'obstacle si vous grimpez ou au-dessous de l'obstacle si vous descendez. Puis connectez le mousqueton à l'anneau en D de positionnement/latéral opposé de la ceinture.
2. Ajustez la longueur de la longe comme nécessaire de manière à ce que l'ajusteur de corde s'engage quand vous vous penchez en arrière (voir Fig. 15 et 16).

Pour faire fonctionner le dispositif de réglage (voir figure 15), appuyez sur l'œil de la came pour faire glisser celle-ci le long de la longe. Lorsque vous êtes en position de vous servir convenablement du dispositif de réglage, enclenchez la came et appliquez de la tension en vous penchant doucement en arrière. Pour serrer ou raccourcir la longe, placez un bras autour du poteau et rapprochez-vous-en de manière à alléger le poids supporté par la longe. Puis, tirez sur le bout flottant de la longe passant dans le levier de came (voir figure 16).

Fig. 15



LEVIER DE CLIQUET OUVERTE



LEVIER DE CLIQUET FERMÉ

Fig. 16



Fig. 17

3. Assurez-vous que le système de longe ajustable/l'équipement accessoire (de secours) est fixé correctement et que tous les connecteurs sont sécurisés, à savoir fermés ou verrouillés (voir figure 17). Vous pouvez alors détacher le dispositif principal de prévention des chutes et de maintien au travail (soit le dispositif StopFall). Positionnez le système primaire au-dessus (ou au-dessous) de l'obstacle et reconnectez.

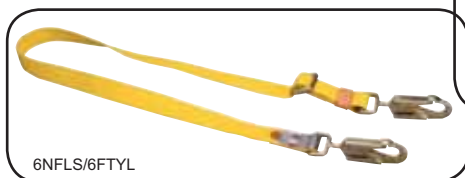
AVERTISSEMENT : lorsque vous franchissez un obstacle, que ce soit à la montée ou à la descente, au moment de réinstaller le dispositif de prévention des chutes et de maintien au travail, veillez à ce que la longueur de la longe permette de minimiser la distance d'une chute potentielle, à savoir 61 cm (2 pi) maximum. Maintenez la tension sur le dispositif à tout moment pour garder le système engagé.

4. Assurez-vous que le système primaire est attaché avec sécurité conformément aux instructions du fabricant ; puis déconnectez la longe ajustable et continuez à grimper/descendre sur le poteau.



5.3 Sangle de sécurité de Miller

La sangle de sécurité de Miller est un équipement accessoire de prévention des chutes et de maintien au travail conçu pour permettre aux monteurs de lignes de franchir les obstacles en toute sécurité lors de l'escalade de poteaux. Elle doit être utilisée avec le dispositif de sécurité antichute StopFall de Miller ou avec un autre équipement de prévention des chutes et de maintien au travail approuvé par Miller.



Modèle n°	Description/matériaux	Longueur
6NFLS/6FTYL	Sangle de sécurité 100 % nylon d'une largeur de 44 mm (1 3/4 po), boucle à friction en acier, mousquetons en acier	6 ft. (1.8m)
7NFLS/7FTYL	Sangle de sécurité 100 % nylon d'une largeur de 44 mm (1 3/4 po), boucle à friction en acier, mousquetons en acier	7 ft. (2.1m)
6YRLS/6FTBR	Sangle de sécurité de trois couches de néoprène d'une largeur de 44 mm (1 3/4 po), boucle à ardillon en acier, mousquetons en acier	6 ft. (1.8m)
7YRLS/7FTBR	Sangle de sécurité de trois couches de néoprène d'une largeur de 44 mm (1 3/4 po), boucle à ardillon en acier, mousquetons en acier	7 ft. (2.1m)

À UTILISER PAR UNE SEULE PERSONNE

Sa capacité maximale (y compris le poids du corps, les outils et les vêtements) :
140,6kg (310 lbs)

AVERTISSEMENTS:

- **N'utilisez PAS la sangle de sécurité de Miller comme dispositif de connexion entre un ancrage/connecteur d'ancrage et l'anneau en D arrière d'un harnais.**
- **NE PAS enrouler la longe autour d'objets tranchants.**
- **Vérifiez toujours visuellement que chaque mousqueton se fixe aisément à l'anneau en D et que son système d'ouverture est complètement fermé et verrouillé. Assurez-vous de placer le mousqueton de manière à ce que son système d'ouverture ne soutienne aucune charge.**
- **SE PROTÉGER CONTRE les objets divers (branches, morceaux de glace, neige, cailloux, etc.) pouvant interférer avec la fonction du produit.**

Franchissement d'obstacles

1. Pour franchir un obstacle à la montée ou à la descente, accrochez un mousqueton de la sangle de sécurité à l'anneau en D qui se trouve sur le côté de la ceinture de monteur, puis passez la sangle autour du poteau, au-dessus de l'obstacle si vous montez ou en dessous si vous descendez. Accrochez ensuite le deuxième mousqueton à l'anneau en D se trouvant du côté de la ceinture opposé à celui où vous avez fixé le premier mousqueton.
2. Pour minimiser la distance d'une chute potentielle, raccourcissez convenablement la longueur de la sangle.
3. Assurez-vous que la sangle est fixée correctement et que tous les connecteurs sont sécurisés, à savoir fermés ou verrouillés. Détachez ensuite le dispositif StopFall. Placez-le au-dessus (ou au-dessous) de l'obstacle, puis rattachez-le. Une fois que le dispositif StopFall est correctement fixé, détachez la sangle de sécurité.

6.0 Inspection et Entretien

6.1 Inspection

Les produits de la marque Miller sont conçus pour les conditions difficiles que l'on rencontre aujourd'hui. Ils doivent faire l'objet d'inspections fréquentes afin d'en prolonger la durée de vie et d'en conserver les performances. **L'utilisateur doit visuellement inspecter les produits décrits dans ce manuel avant chaque utilisation, et une personne qualifiée doit le faire régulièrement, au moins une fois par an. N'utilisez pas ces produits si vous détectez l'une des caractéristiques décrites ci-dessous.**

Dispositif StopFall

Inspecter le produit pour voir s'il présente l'une ou l'autre de ces anomalies : pièces pliées, craquelées, déformées, usées, défectueuses ou endommagées; attaches lâches ou pièces/composants manquants; détérioration; déformation; corrosion; signes indiquant que le produit a supporté une chute; ou toute autre indication de dommage/problems susceptibles de nuire à l'intégrité et au fonctionnement du produit. En cas de doute, communiquer avec le fabricant.

1. Sangle de poteau et sangle de sécurité intérieure : en conservant un écart de 15,2 cm (6 po) à 20,3 cm (8 po) entre vos mains, saisissez la sangle intérieure et pliez-la en forme de U inversé à sa forme habituelle afin de faire apparaître les entailles et les fibres endommagées potentielles. Vérifiez que les extrémités ne sont pas effilochées, que les fibres ne sont pas abîmées, que des points de couture ne sont pas défaits et qu'il n'y a ni entaille ni dommage chimique (voir tableau 1).

Remarque : la surface de la sangle de sécurité intérieure peut s'effiloche après une période d'utilisation relativement courte en raison du frottement contre les poteaux. Un tel état n'empêche pas l'utilisation du dispositif à condition qu'il n'y ait ni d'entaille, ni de dommage chimique, etc. Une utilisation appropriée de la plaque d'usure permet de prolonger la durée de vie de la sangle de sécurité intérieure.

2. Sangle extérieure : inspectez-la en suivant la même procédure que pour la sangle intérieure. Vérifiez qu'il n'y a ni entaille, ni marque rouge (témoin d'usure), ni dommage chimique.
3. Plaque d'usure en néoprène de la sangle de poteau extérieure et plaque d'usure en néoprène de la sangle de sécurité intérieure : il faut inspecter soigneusement les plaques d'usure pour vérifier qu'elles ne sont pas trop usées. Lorsque les rainures en néoprène sont usées au point d'arriver au niveau des points de couture, il faut faire réparer le dispositif StopFall ou le remplacer. Vérifiez également qu'il n'y a ni entaille, ni dommage chimique.
4. Quincaillerie : inspectez tous les composants afin de vérifier qu'il n'y a ni distorsion, ni dommage, ni fêlure, ni entaille, ni corrosion, ni surface piquée. Inspectez les attaches des composants pour vérifier qu'il n'y a ni usure inhabituelle, ni fibre effilochée ou abîmée, ni point de couture défectueux.

4a. Mousquetons : cherchez visuellement des crochets ou distorsions. Les doigts des mousquetons doivent s'insérer dans les becs sans courber; ils ne doivent être ni déformés ni obstrués. Les ressorts des doigts doivent montrer une résistance suffisante pour assurer la fermeture du système d'ouverture. Le mécanisme de verrouillage des doigts doit empêcher ceux-ci de se rouvrir lorsque les mousquetons sont fermés.

4b. Boucles/dispositifs de réglage pivotants de la sangle de poteau : vérifiez qu'il n'y a pas de distorsion. Assurez-vous que les boucles/dispositifs de réglage sont dégagés et qu'ils fonctionnent correctement de la manière prévue par le fabricant à leur conception. Ils doivent laisser passer les sangles aisément lors des ajustements et les retenir fermement une fois les ajustements terminés.

4c. Ensembles de griffes coulissantes/ensemble de désaccouplage : vérifiez que les extrémités des griffes sont dégagées et affûtées, et que les griffes ne sont pas endommagées. Les vis d'axe de galet doivent être serrées et les rouleaux et goupilles doivent être droits. Le ressort à lames doit être positionné de manière à retenir la goupille mâle à tête en T de l'ensemble de désaccouplage qui s'y trouve.

4d. Ressorts : ouvrez le revêtement de protection des ressorts afin de pouvoir inspecter intégralement ces derniers. Vérifiez qu'au moins un anneau entier du ressort de rappel entoure les ensembles de griffes coulissantes. Les connecteurs de ressorts sur les ensembles de griffes doivent être serrés et leur épaulement doit reposer fermement sur les ensembles. Détendez les ressorts pour vérifier qu'il n'y a pas d'anneau déformé ou endommagé. Détachez les ensembles de griffes coulissantes pour vérifier que les ressorts assurent correctement leur rôle de rabat rapide de la sangle intérieure de sécurité vers le poteau. Assurez-vous que l'attache de ressort centrale est bien serrée.

4e. Rivets d'arrêt/rivets/bouterolles : inspectez-les pour vérifier qu'il n'en manque pas et qu'ils sont tous bien serrés. Assurez-vous que tous les rivets et toutes les bouterolles sont correctement installés. Les rivets et bouterolles flottants se détacheront à la longue.

Si l'inspection révèle une défectuosité d'état des composants ou de fonctionnement ou si le dispositif a été sujet à une charge de choc, il doit être mis hors service.

Équipement accessoire/de secours : longe rétractable (modèle 8327SW), longe ajustable et sangle de sécurité

Inspecter le produit pour voir s'il présente l'une ou l'autre de ces anomalies : pièces pliées, craquelées, déformées, usées, défectueuses ou endommagées; attaches lâches ou pièces/composants manquants; détérioration; déformation; corrosion; signes indiquant que le produit a supporté une chute; ou toute autre indication de dommage/problèmes susceptibles de nuire à l'intégrité et au fonctionnement du produit. En cas de doute, communiquer avec le fabricant.

Longe rétractable (modèle 8327SW):

1. Rétractabilité de la longe : lorsque la longe est rétractée, testez la rétractabilité et la tension en tirant sur la longe pour en faire sortir plusieurs centimètres et en la laissant se rétracter dans son boîtier. Maintenez systématiquement une faible tension sur la longe lorsqu'elle se rétracte. La longe doit sortir librement et se rétracter en entier dans son boîtier sans accroc.
2. Sangle : inspectez la sangle dans toute sa longueur pour vérifier qu'il n'y a pas de signe de dommage. Vérifiez qu'il n'y a ni entaille, ni brûlure, ni dommage chimique (voir tableau 1), ni pli, ni effilochage, ni usure, ni fibre abîmée. Inspectez la couture pour vous assurer qu'aucun point n'est défectueux, flottant ou abîmé.
3. Mécanisme de freinage : le mécanisme de freinage peut être vérifié en saisissant la sangle AU-DESSUS de l'indicateur de charge et en la tirant vers le bas d'un coup sec et ferme pour voir si les freins s'actionnent. La sangle ne doit plus pouvoir bouger lorsque les freins sont actionnés. Une fois que la tension est relâchée, les freins se libèrent et la sangle se rétracte.
4. Indicateur de charge : un repli cousu dans le cordage de sécurité de la sangle, au-dessus du mousqueton, sert d'indicateur d'impact. Un dispositif de signalisation y est intégré et est visible une fois que la sangle a supporté une chute.
5. Mousqueton : vérifiez qu'il n'y a pas de distorsion. Le doigt du mousqueton doit s'insérer dans le bec sans courber; il ne doit être ni déformé ni obstrué. Le ressort du doigt doit montrer une résistance suffisante pour assurer la fermeture du système d'ouverture. Le mécanisme de verrouillage du doigt doit empêcher celui-ci de se rouvrir lorsque le mousqueton est fermé.
6. Support de fixation : inspectez-le pour vérifier qu'il n'y a pas d'élément manquant ou flottant et que tous les composants sont en bon état.

Longe ajustable:

1. Longe : Vérifiez la longueur et la circonférence entière de la corde pour voir s'il y a des entailles, des brûlures, des endroits extrêmement abrasés, des pliures, des nœuds, des brins cassés/étirés et une usure excessive. Inspectez le diamètre de la corde pour voir s'il est irrégulier, examinez s'il y a des changements de texture, une perte d'élasticité ou raideur et des changements d'aspect (aspect parcheminé brunâtre; des endroits durs et brillants; etc.) pouvant révéler des signes de dommage par échauffement (voir tableau 1) ou par des produits chimiques ou une exposition à une charge de choc. Assurez-vous que les coutures et les épissures de la corde sont intactes et sans défaut.
2. Quincaillerie : inspectez tous les composants afin de vérifier qu'il n'y a ni distorsion, ni dommage, ni fêlure, ni entaille, ni corrosion, ni surface piquée. Inspectez les attaches des composants pour vérifier qu'il n'y a ni usure inhabituelle, ni fibre effilochée ou abîmée, ni point de couture défectueux.

2a. Mousqueton : le doigt du mousqueton doit s'insérer dans le bec sans courber; il ne doit être ni déformé ni obstrué. Le ressort du doigt doit montrer une résistance suffisante pour assurer la fermeture du système d'ouverture. Le mécanisme de verrouillage du doigt doit empêcher celui-ci de se rouvrir lorsque le mousqueton est fermé.

2b. Dispositif de réglage/came : assurez-vous que l'ajusteur/le cliquet fonctionne librement et correctement et uniquement comme prévu par le fabricant. La flèche sur l'ajusteur doit toujours être orientée vers l'extrémité du crochet à ressort de la longe.

Sangle de sécurité :

1. Sangle : en conservant un écart de 15,2 cm (6 po) à 20,3 cm (8 po) entre vos mains, saisissez la sangle intérieure et pliez-la en forme de U inversé à sa forme habituelle afin de faire apparaître les entailles et les fibres endommagées potentielles. Vérifiez que les extrémités ne sont pas effilochées, que les fibres ne sont pas abîmées, que des points de couture ne sont pas défaits et qu'il n'y a ni entaille ni dommage chimique (voir tableau 1).

2. Quincaillerie : inspectez tous les composants afin de vérifier qu'il n'y a ni distorsion, ni dommage, ni fêlure, ni entaille, ni corrosion, ni surface piquée. Inspectez les attaches des composants pour vérifier qu'il n'y a ni usure inhabituelle, ni fibre effilochée ou abîmée, ni point de couture défaut.

2a. Mousquetons : cherchez visuellement des crochets ou distorsions. Les doigts des mousquetons doivent s'insérer dans les becs sans courber; ils ne doivent être ni déformés ni obstrués. Les ressorts des doigts doivent montrer une résistance suffisante pour assurer la fermeture du système d'ouverture. Le mécanisme de verrouillage des doigts doit empêcher ceux-ci de se rouvrir lorsque les mousquetons sont fermés.

2b. Dispositifs de réglage/boucles : vérifiez qu'il n'y a pas de distorsion. Assurez-vous que les boucles/dispositifs de réglage sont dégagés et qu'ils fonctionnent correctement de la manière prévue par le fabricant à leur conception.

Les barres extérieure et centrale des boucles à friction doivent être droites. Ces dernières doivent laisser passer les sangles aisément lors des ajustements et les retenir fermement une fois les ajustements terminés. Les ardillons de boucles ne doivent pas faire l'objet de distorsion, qu'il s'agisse de leur forme ou de leur mouvement. Ils doivent chevaucher le cadre des boucles et pouvoir bouger aisément d'avant en arrière dans leur point d'articulation. Les rouleaux doivent pouvoir tourner aisément dans leur cadre. Vérifiez qu'il n'y a ni distorsion ni extrémité affûtée. Cherchez s'il y a des œilletons cassés, abîmés ou déformés. Les sangles ne doivent comporter aucun trou poinçonné additionnel.

Si l'inspection révèle une défectuosité d'état des composants ou de fonctionnement ou si le dispositif a été sujet à une charge de choc, il doit être mis hors service.

Tableau 1 - Types de dommages matériels

CHALEUR	PRODUITS CHIMIQUES	MÉTAL FONDU OU FLAMME	PEINTURES ET SOLVANTS
Exposée à une chaleur excessive, une corde/une sangle devient cassante comme du verre, se ratatine et prend une couleur brunâtre. Les fibres se cassent lorsqu'on les fléchit. Nylon should not be used above 180°F; polyester should be used above 200°F.	Le changement de couleur se présente habituellement sous la forme d'une maculation ou d'une empreinte brunâtre. Fissures transversales lorsqu'on plie le cordage/la sangle sur un mandrin. Perte d'élasticité dans le cordage/la sangle.	Les fils de cordage/sangle fusionnent. Points durs brillants. Dur et cassant au toucher.	La peinture qui durcit après avoir pénétré nuit au bon déplacement des fibres. Les agents de séchage et les solvants contenus dans certaines peintures produisent des dommages semblables à ceux dus à des produits chimiques.

Pour toute question sur le tableau ci-dessus, contacter le Service technique Miller au 800-873-5242.

6.2 Nettoyage et Entreposage

En apportant un soin élémentaire à l'équipement de protection antichute Miller, on prolongera la durée utile de l'élément et en assurera l'efficacité. Nettoyer périodiquement le dispositif pour le débarrasser de toute saleté, peinture, éléments corrosifs, contaminants ou autre matière pouvant s'y être accumulés. Enlevez la saleté de la surface avec une éponge imbibée d'eau ou d'une solution d'eau et de savon ou de détergent doux. Puis séchez avec un linge propre. Pour le faire sécher, étendez l'équipement sans l'attacher, à l'abri de la chaleur excessive, de l'humidité et du soleil. Assurez-vous que tous les composants disposant de parties bougeant librement ne sont pas encombrés de saleté et de matériel étranger, car ceux-ci pourraient les empêcher de fonctionner correctement. Lorsqu'il n'est pas en usage, le remettre dans un endroit propre, sec, et non exposé aux émanations ou éléments corrosifs.

6.3 Entretien

Les réparations doivent être effectuées uniquement par Miller Fall Protection, ou par des personnes ou entités autorisées par écrit par Miller Fall Protection. On doit tenir un registre de toutes les dates d'entretien et d'inspection pour ce dispositif. Seules les pièces de rechange Miller d'origine sont approuvées pour être utilisées dans ce dispositif. Les dispositifs non réparables qui échouent à l'inspection doivent être éliminés pour éviter qu'on ne les utilise ultérieurement par inadvertance. Si vous avez des questions, communiquez avec les services techniques Miller, au 1-800-873-5242.

Product Labels

Étiquettes de Produit

Etiquetas del Producto

MILLER FALL PROTECTION
DATE: 12/15/2011
MODEL/MODELE: 7700A/YL/GP-1
POLE SIZE (Taille de Poteau):
6.5" - 19" Diameter (diametre)
20" - 60" Circumference
TYPE: AB CON PAT # 2,085,288
US PAT # 5,141,674

MILLER
 by Honeywell
STOPFALL


WARNING: MANUFACTURER'S INSTRUCTIONS SUPPLIED WITH THIS PRODUCT AT THE TIME OF SHIPMENT MUST BE FOLLOWED. FAILURE TO DO SO COULD RESULT IN SERIOUS INJURY OR DEATH. CONTACT MILLER FALL PROTECTION IF INSTRUCTION MANUAL IS NEEDED.

MADE IN USA
1-800-873-5242
COMPLIANCE: CSA Z259.14-01

LB1193 REV C

CODE 128

MILLER
 by Honeywell
TYPE: AB
STOPFALL
MADE IN USA CSA Z259.14-01
THIS WEAR PAD IS TO BE ATTACHED TO THE CROSS STRAP

UP 

LB1194 REV B

MILLER
 by Honeywell
Model/Length: 6NFLS/6FTYL
(Modele/Longueur):
Date of Manufacture: 10/17/11
(Date de Fabrication):


Inspection No.: 31323 **Made in the U.S.A.**
(No. de Inspection): (877) Rev. B

Lanyard
 & Horizontal or Vertical Lifeline

Compliance **Date of Mfg: 10/18/2011**
OSHA 1926.502 **Model # ARL-100-Z7/0FT**
ANSI Z359.3 **Material Polyester**
ANSI A10.32-2004 **Length: 8FT**
CSA Z259.11-05 **Work Order 123456**

Capacity: 400lbs.

Inspection #:
83F50260 - FD02 - 4CC3 - 85FE - ABC37BC9FC9

WARNING:
 - IF USED FOR FALL PROTECTION, A SHOCK-ABSORBER, LIMITING THE FORCES TO 1800 LBS. (815KG) OR LESS MUST BE USED.
 - REMOVE FROM SERVICE IF ANY DAMAGE IS DETECTED.
 - NEVER USE A STEEL CABLE LANYARD FOR FALL ARREST UNLESS USED IN CONJUNCTION WITH A SHOCK-ABSORBER.
 - CONNECTORS AND ANCHORAGE POINTS MUST BE COMPATIBLE AND ABLE TO SUPPORT 5,000 LBS. (2268KG) OR MEET OTHER REQUIREMENTS FOR A SAFETY FACTOR OF TWO (2).
 - INSTRUCTIONS OR APPLICABLE FALL PROTECTION CODES.
 - DO NOT ALLOW LANYARD TO CONTACT SHARP OR ABRASIVE SURFACES, SPARKS OR TEMPERATURES ABOVE 180 DEGREES F. (82 DEGREES C).
 - SNAPHOOKS WITH GATE OPENINGS LARGER THAN ONE (1") (25.4mm) MUST NOT BE CONNECTED TO D-RINGS OR HARNESSES AND BELTS.

WARNING: MANUFACTURER'S INSTRUCTIONS SUPPLIED WITH THIS PRODUCT AT TIME OF SHIPMENT MUST BE FOLLOWED. FAILURE TO DO SO COULD RESULT IN SERIOUS INJURY OR DEATH. CONTACT MILLER FALL PROTECTION IF INSTRUCTION MANUAL IS NEEDED.

ADVERTENCIA: OBTENIR SEGUIRSE LAS INSTRUCCIONES DEL FABRICANTE PROVISTAS CON ESTE PRODUCTO AL MOMENTO DE DESPACHO. EL NO HACERLO PUEDE RESULTAR EN LESIONES GRAVES O LA MUERTE. SI SE REQUIERE EL MANUAL DE INSTRUCCIONES CONSULTE CON MILLER FALL PROTECTION.

AVERTISSEMENT: VOUS DEVEZ RESPECTER LES INSTRUCTIONS DU FABRICANT QUI VOUS SONT FOURNIES AVEC LE PRODUIT. DANS LE CAS CONTRAIRE, VOS RISQUEZ DES BLESSURES GRAVES OU MEME LA MORT. CONTACTEZ MILLER FALL PROTECTION SI VOUS AVEZ BESOIN D'UN NOUVEAU MANUEL.

EXPIRATION DATE: SEE MANUAL FOR INSPECTION
1-800-873-5242

MILLER
 by Honeywell

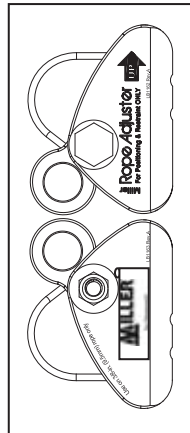
CAUTION: INSPECT BEFORE EACH USE

INSPECTION GRID ON DATE OF FIRST USE

	M	T	W	T	F	S	A	S	O	N	D
1											
2											
3											
4											
5											

DO NOT REMOVE THIS LABEL

MFP9350030
LB1154



INSPECTION GRID

	M	T	W	T	F	S	A	S	O	N	D
1											
2											
3											
4											

MARK GRID ON DATE OF FIRST USE

LB699 Rev B.
WO#: 678767



by Honeywell
Retractable Web Lanyard

Model/Size:
8327SW/6FTYL


Inspection No.: 366966

Date of Manufacture: 10/17/11

ANSI A10.32-2004
OSHA 1926.502, 1910.66
CSA Z259.2.2.98 [Type 1]

WARNING: REMOVE FROM SERVICE!
THIS UNIT HAS BEEN SUBJECTED
TO FALL ARRESTING FORCES.

LB286 Rev. A

Inspection and Maintenance Log

Registre D'inspection et D'entretien

Registro de Inspección y Mantenimiento

DATE OF MANUFACTURE: _____
 DATE DE FABRICATION / FECHA DE FABRICACIÓN

MODEL NUMBER: _____
 NUMÉRO DE MODÈLE / NÚM. DE MODELO

DATE PURCHASED: _____
 DATE D'ACHAT / FECHA DE COMPRA

INSPECTION DATE DATE D'INSPECTION FECHA DE INSPECCIÓN	INSPECTION ITEMS NOTED POINTS NOTÉS LORS DE L'INSPECTION PUNTOS DE INSPECCIÓN RELEVANTES	CORRECTIVE ACTION ACTION CORRECTIVE MEDIDA CORRECTIVA	MAINTENANCE PERFORMED ENTRETIEN EFFECTUÉ MANTENIMIENTO REALIZADO
Approved by: Approuvé par: Aprobado por:			
Approved by: Approuvé par: Aprobado por:			
Approved by: Approuvé par: Aprobado por:			
Approved by: Approuvé par: Aprobado por:			
Approved by: Approuvé par: Aprobado por:			
Approved by: Approuvé par: Aprobado por:			
Approved by: Approuvé par: Aprobado por:			
Approved by: Approuvé par: Aprobado por:			

Inspection and Maintenance Log

Registre D'inspection et D'entretien

Registro de Inspección y Mantenimiento

DATE OF MANUFACTURE: _____
 DATE DE FABRICATION / FECHA DE FABRICACIÓN

MODEL NUMBER: _____
 NUMÉRO DE MODÈLE / NÚM. DE MODELO

DATE PURCHASED: _____
 DATE D'ACHAT / FECHA DE COMPRA

INSPECTION DATE DATE D'INSPECTION FECHA DE INSPECCIÓN	INSPECTION ITEMS NOTED POINTS NOTÉS LORS DE L'INSPECTION PUNTOS DE INSPECCIÓN RELEVANTES	CORRECTIVE ACTION ACTION CORRECTIVE MEDIDA CORRECTIVA	MAINTENANCE PERFORMED ENTRETIEN EFFECTUÉ MANTENIMIENTO REALIZADO
Approved by: Approuvé par: Aprobado por:			
Approved by: Approuvé par: Aprobado por:			
Approved by: Approuvé par: Aprobado por:			
Approved by: Approuvé par: Aprobado por:			
Approved by: Approuvé par: Aprobado por:			
Approved by: Approuvé par: Aprobado por:			
Approved by: Approuvé par: Aprobado por:			
Approved by: Approuvé par: Aprobado por:			
Approved by: Approuvé par: Aprobado por:			
Approved by: Approuvé par: Aprobado por:			
Approved by: Approuvé par: Aprobado por:			
Approved by: Approuvé par: Aprobado por:			
Approved by: Approuvé par: Aprobado por:			
Approved by: Approuvé par: Aprobado por:			
Approved by: Approuvé par: Aprobado por:			

Inspection and Maintenance Log

Registre D'inspection et D'entretien

Registro de Inspección y Mantenimiento

DATE OF MANUFACTURE: _____
 DATE DE FABRICATION / FECHA DE FABRICACIÓN

MODEL NUMBER: _____
 NUMÉRO DE MODÈLE / NÚM. DE MODELO

DATE PURCHASED: _____
 DATE D'ACHAT / FECHA DE COMPRA

INSPECTION DATE DATE D'INSPECTION FECHA DE INSPECCIÓN	INSPECTION ITEMS NOTED POINTS NOTÉS LORS DE L'INSPECTION PUNTOS DE INSPECCIÓN RELEVANTES	CORRECTIVE ACTION ACTION CORRECTIVE MEDIDA CORRECTIVA	MAINTENANCE PERFORMED ENTRETIEN EFFECTUÉ MANTENIMIENTO REALIZADO
Approved by: Approuvé par: Aprobado por:			
Approved by: Approuvé par: Aprobado por:			
Approved by: Approuvé par: Aprobado por:			
Approved by: Approuvé par: Aprobado por:			
Approved by: Approuvé par: Aprobado por:			
Approved by: Approuvé par: Aprobado por:			
Approved by: Approuvé par: Aprobado por:			
Approved by: Approuvé par: Aprobado por:			



MILLER® FALL PROTECTION PRODUCTS
TOTAL SATISFACTION ASSURANCE

At Miller Fall Protection, we have been providing quality Miller brand fall protection equipment to millions of workers worldwide since 1945.

LIMITED LIFETIME WARRANTY
BACKED BY OVER 65 YEARS IN THE FALL PROTECTION BUSINESS

We sincerely believe that our fall protection equipment is the best in the world. Our products endure rigorous tests to ensure that the fall protection equipment you trust is manufactured to the highest standards. Miller fall protection products are tested to withstand normal wear and tear, but are not indestructible and can be damaged by misuse. Our Limited Lifetime Warranty does not apply to normal wear and tear or abusive treatment of the product.

In the unlikely event that you should discover defects in either workmanship or materials, under our Limited Lifetime Warranty, we will repair or replace the product at our expense. If a replacement is necessary and your product is no longer available, a comparable product will be substituted. Should a product issue surface, contact us at 800.873.5242.

Manufacturing specifications are subject to change without notice.

PRODUITS MILLER® FALL PROTECTION
ASSURANCE DE SATISFACTION TOTALE

Chez Miller Fall Protection, nous fournissons des équipements de protection contre les chutes de marque Miller de qualité à des millions de travailleurs dans le monde entier depuis 1945.

GARANTIE LIMITÉE À VIE
ASSURÉE GRÂCE À PLUS DE 65 ANS PASSÉS DANS LE DOMAINE DE LA PROTECTION CONTRE LES CHUTES

Nous croyons sincèrement que notre équipement de protection contre les chutes est le meilleur au monde. Nos produits sont soumis à des tests rigoureux, afin d'assurer que les équipements de protection contre les chutes dans lesquels vous avez confiance sont fabriqués selon les normes les plus exigeantes. Les produits de protection contre les chutes Miller sont soumis à des essais pour vérifier qu'ils résistent à une usure normale; ils ne sont cependant pas indestructibles et peuvent s'endommager en cas de mauvaise utilisation. Notre garantie limitée à vie ne s'applique pas à l'usure normale ou à un usage abusif du produit.

Dans le cas peu probable où vous découvririez des défauts, soit de fabrication, soit de matériau, dans le cadre de notre garantie à vie, nous réparerons ou remplacerons le produit à nos frais. En cas de remplacement, si votre produit n'est plus offert, vous recevrez un produit comparable. En cas de problème sur un produit, nous contacter au 800-873-5242.

Les caractéristiques de fabrication peuvent être modifiées sans préavis.

PRODUCTOS ANTICAÍDAS MILLER®
GARANTÍA DE SATISFACCIÓN TOTAL

En Miller Fall Protection, venimos suministrando desde 1945 los equipos de protección anticaídas con la calidad Miller a millones de trabajadores en todo el mundo.

GARANTÍA LIMITADA DE POR VIDA
NOS RESPALDAN MÁS DE 65 AÑOS EN LA FABRICACIÓN DE EQUIPO ANTICAÍDAS

Sinceramente creemos que su equipo de protección contra caídas es el mejor del mundo. Nuestros productos resisten rigurosas pruebas para garantizar que el equipo de protección contra caídas en el que usted confía está fabricado de conformidad con las normas más elevadas. Los productos anticaídas Miller son sometidos a pruebas para que resistan el desgaste normal, pero no son indestructibles y su incorrecta utilización puede dañarlos.

Nuestra Garantía limitada de por vida no se aplica al desgaste normal ni al maltrato del producto.

En el poco probable caso de que usted descubriera defectos de mano de obra o materiales, por nuestra Garantía limitada de por vida, repararemos o sustituiremos el producto por cuenta nuestra. Si un reemplazo es necesario y nuestro producto ya no está disponible, se lo sustituiremos por otro comparable.

En caso de que surja un problema con el producto, contáctenos al 800.873.5242.

Las especificaciones de fabricación están sujetas a modificaciones sin previo aviso.



by Honeywell

Toll Free: 800.873.5242
Fax: 800.892.4078

Download this manual at: www.millerfallprotection.com
Téléchargez ce manuel à l'adresse: www.millerfallprotection.com
Puede bajar por Internet este manual en: www.millerfallprotection.com

Honeywell Safety Products
P.O. Box 271, 1345 15th Street
Franklin, PA 16323 USA